

Field-mounted Two-wire Signal Conditioners B6-UNIT Series



Four-wire
Signal Conditioners

Two-wire
Signal Conditioners

Power Transducers

Indicators

Limit Alarms

Gateway,
Remote I/O

Paperless Recording
System

PC Recorder

Electronic Actuators
& Position Sensors

Lightning Surge
Protectors

Two-wire
Product Selection Guide

27-UNIT Series

26-UNIT Series

B6-UNIT Series

B3-UNIT Series

B5-UNIT Series

6-UNIT Series

T-UNIT Series

B-UNIT Series

Two-wire Signal Conditioners

M-System's Models B6U and B6U-B accept a wide variety of inputs including thermocouples and RTDs as well as mV, resistance and potentiometer sensor types.

- Plug-in two-line LCD display
- HART programmable
- AMS software version 6.0 or higher
- Stainless steel enclosure optional
- ATEX Zone 0 approvals
- FM Class I, II, III, Division 1 approvals



► **SPECIFICATIONS (model: B6U)**

HART communication, intrinsically safe

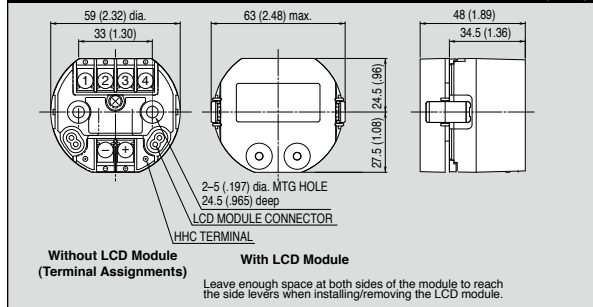
Electrical connection	M3.5 screw terminals (torque 0.8 N-m)
Materials	
• Transmitter housing	Flame-resistant resin (black)
• Screw terminals	Nickel-plated brass
Isolation	Input to output

► **SPECIFICATIONS (model: B6U-B)**

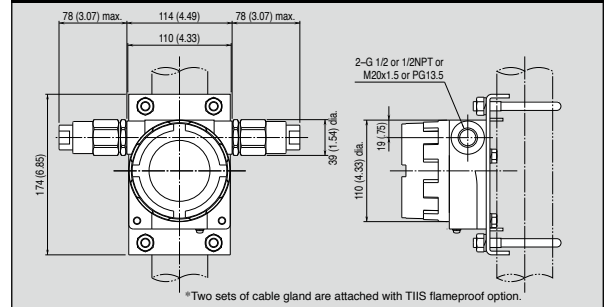
HART communication, intrinsically safe/explosion-proof

Construction	Outdoor enclosure
Degree of protection	NEMA 4X, IP65
Wiring conduit	G 1/2, 1/2 NPT, M20 × 1.5, PG 13.5
Electrical connection	M3.5 screw terminals (torque 0.8 N-m)
Materials	
• Transmitter housing	Flame-resistant resin (black)
• Screw terminals	Nickel-plated brass
• Enclosure material	Diecast aluminium standard; stainless steel casting optional (equivalent to type 316); silver color, epoxy resin coated
• Mounting bracket assembly	Stainless steel 304
Applicable pipe	1 1/2" min.; 2" max.
Isolation	Input to output to outdoor enclosure

► **EXTERNAL DIMENSIONS (model: B6U) mm (inch)**



► **EXTERNAL DIMENSIONS (model: B6U-B) mm (inch)**



Model	Function	Page
B6U-B	2-wire Universal Temperature Transmitter (HART communication, intrinsically safe/explosion-proof)	P.85
B6U	2-wire Universal Temperature Transmitter (HART communication, intrinsically safe)	P.85

■ **Accessories, Related Products**

Model	Function	Page
A-34	DIN Rail Mounting Adaptor	***
COP-H	Bell202 Modem (RS-232C interface)	***
COP-HU	Bell202 Modem (USB interface)	***
M2DYH	Current Loop Supply (applicable to HART signal)	P.19
A3DYH	Current Loop Supply (applicable to HART signal)	***

To find a product in the list with "***", visit M-System Data Library. If you cannot find a product here, please contact: info@m-system.co.jp