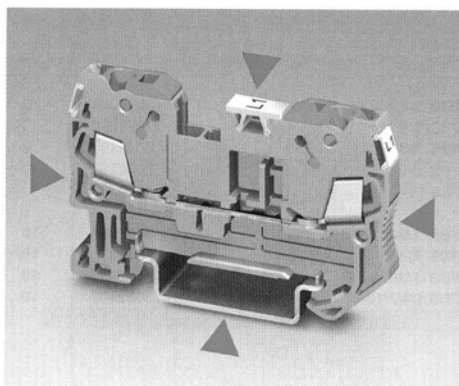
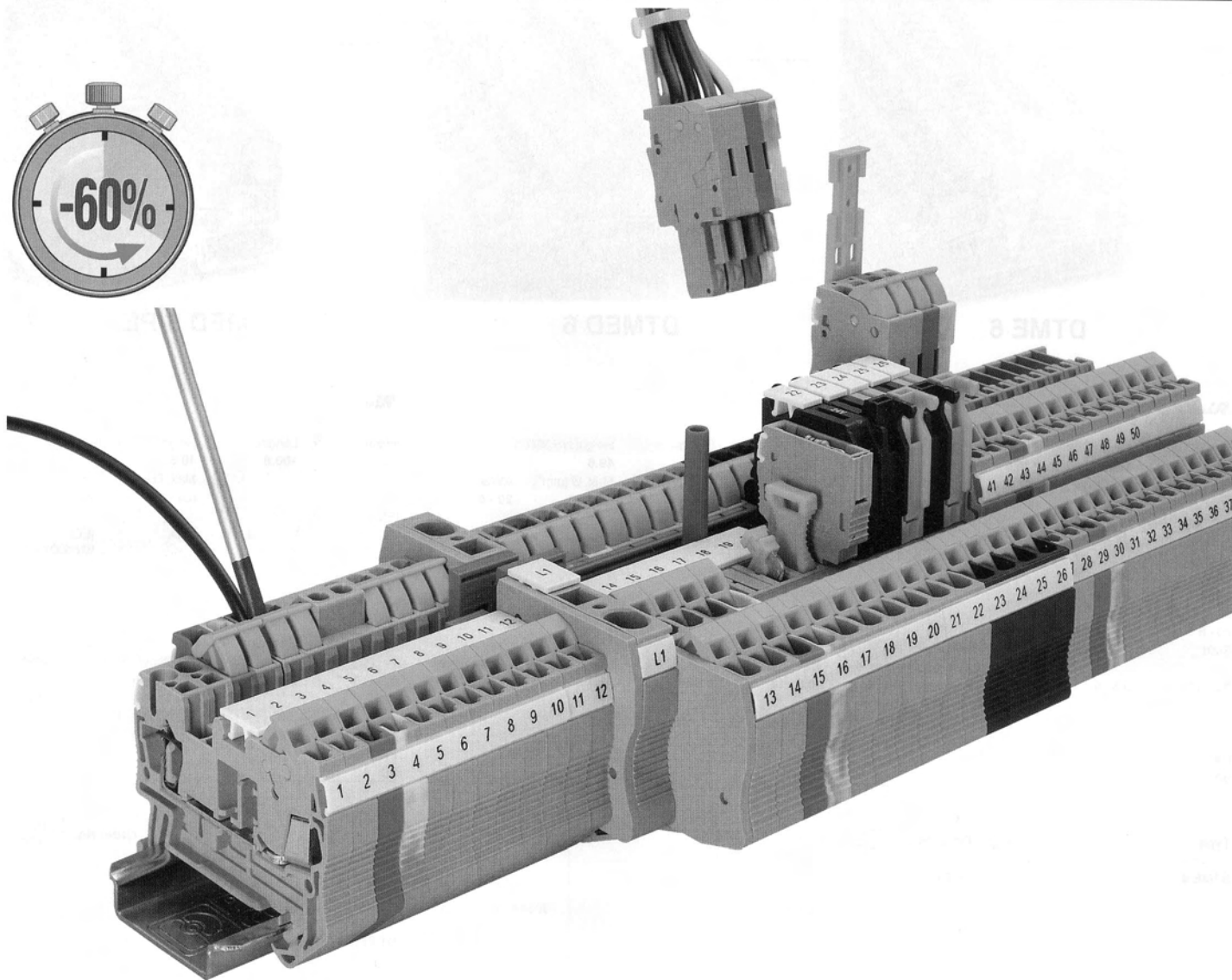


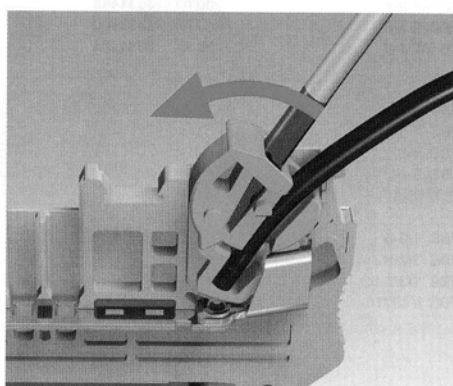
The modular terminal block system - CLIPLINE complete QUICKON QT - Fast connection terminal blocks



Space-saving design

The QUICKON QT series is characterized by the IDC connection. This allows the user to save space without restricting the quality features

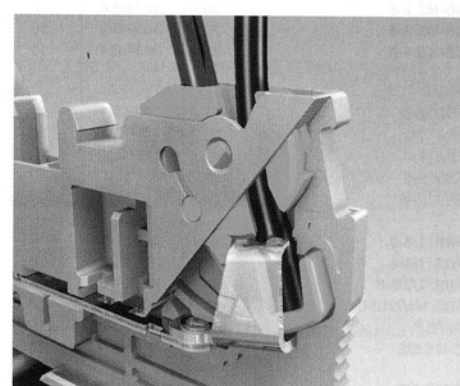
- Large-surface marking
- Maximum connection space
- Flexible plug-in bridge system



Strip - Connect - Ready!

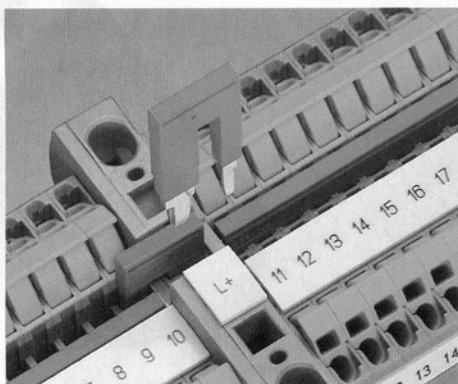
Time savings of 60% and more compared to other connection methods.

Stripping and fitting splicing protection is no longer necessary thanks to the QUICKON fast connection technology. All that is needed is to cut the conductors to the correct length and they can then be contacted within seconds.

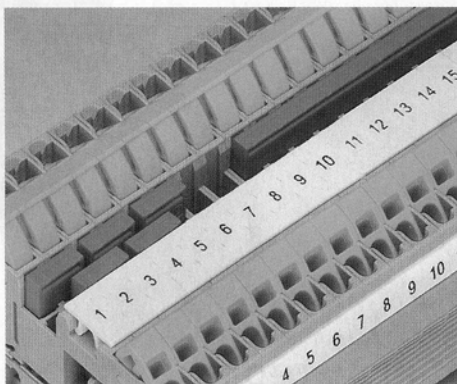


A powerful insulation displacement contact

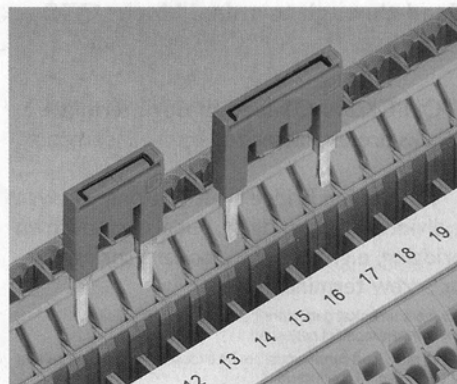
Conductors of 0.25 to 2.5 mm² are connected using the patented insulation displacement contact. High-grade special alloys and snap-fittings of the switching statuses always ensure a safe electrical connection. Large-surface, spring-loaded contact points guarantee a current carrying capacity of 24 A.



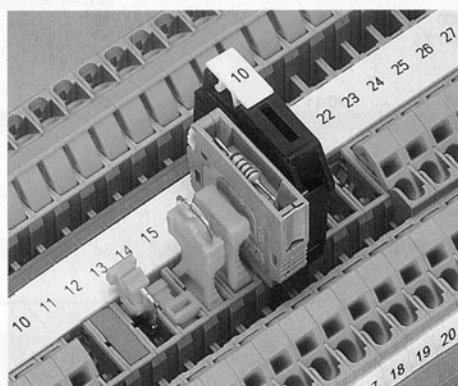
The reducing bridge allows a time and cost-saving potential distribution when supplying large cross-sections. The reducing bridge connects, for instance, an ST 10 with a QTC 1,5 or QTC 2,5 terminal block.



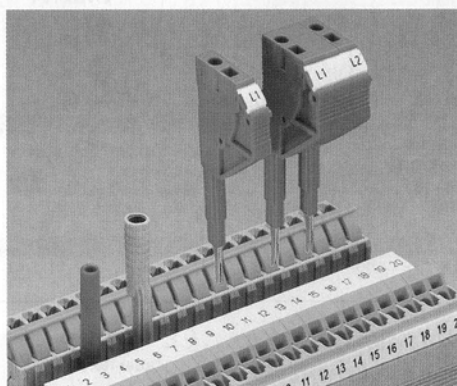
With the double bridge shaft, any number of terminal blocks can be connected with one another using two-pos. bridges. The 2 to 50 pos. bridges permit bridging of up to 50 terminal blocks in one step.



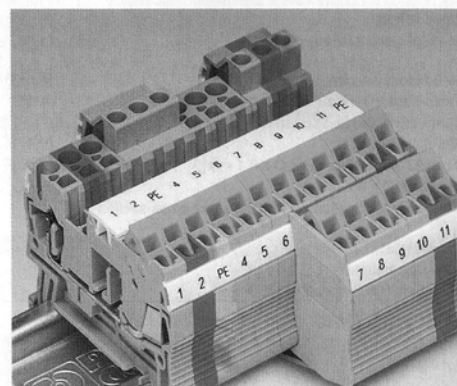
Non-adjacent terminals can be bridged by breaking off individual teeth from the standard bridge. In this way, two potentials can be routed in parallel. The bridge can be marked on its top.



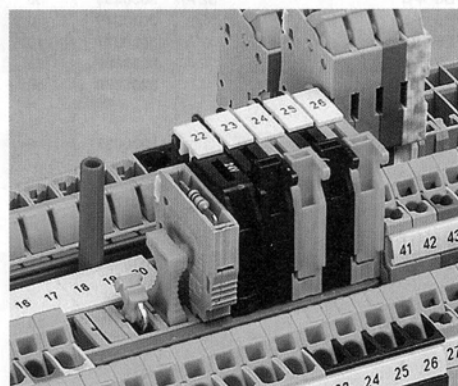
The P-FIX insulated through connectors, P-DI isolating connectors, P-CO component connectors and P-FU cartridge fuse connectors can be used in the universal plug-in zone of the disconnect terminal block.



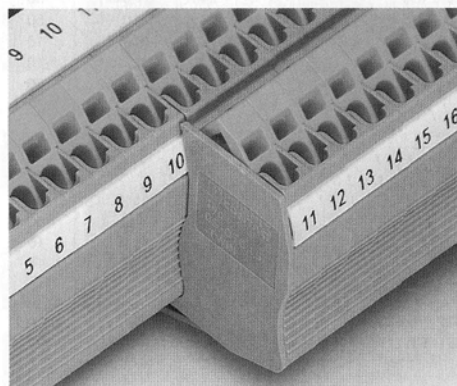
A 2.3 mm Ø test plug is available for measuring lines. All the measurement and testing tasks can be completed faster using test adapters for 4 mm Ø test plugs and the modular test plugs.



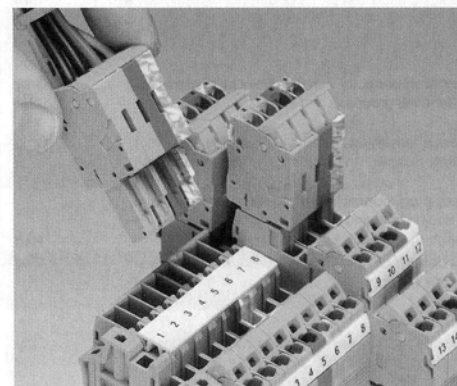
The hybrid versions combine the time-saving fast connection method on the one hand and the advantages of screw or spring-cage technology on the other.



Lever-type fuse terminal blocks suitable for the function terminal blocks are also available. The captive fuse holders can be used with fine fuses in a black housing or with a contact metal in an orange housing.



End cover segments cover protruding terminal block segments of three and four-conductor terminal blocks when two-conductor terminal blocks are aligned. This ensures that they are touch proof.



QT-COMBI basic terminal blocks and connectors with fast connection are available for pluggable configuration of signal wiring with fast connection. See chapter "COMBI", page 238.